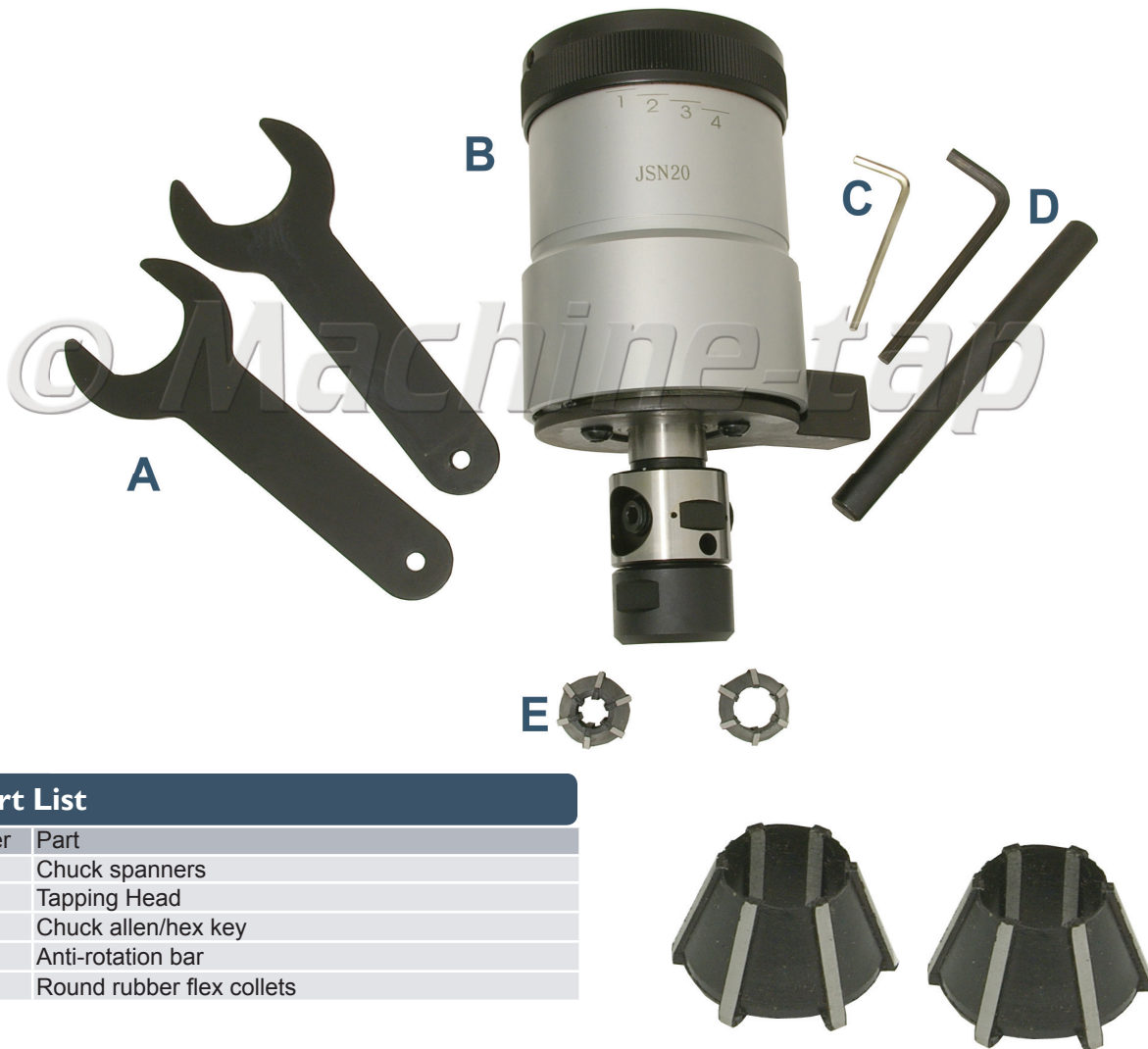




Tapping Head DataSheet

Part No: MT-TH-##  
Doc V: 1.0



Part List

Letter	Part
A	Chuck spanners
B	Tapping Head
C	Chuck allen/hex key
D	Anti-rotation bar
E	Round rubber flex collets

Tapping Head Dimensions

Model Number	Tapping Range		L0		L1		D	
	mm	inch	mm	inch	mm	inch	mm	inch
MT-TH-2-7	M2-M7	5/16 - 1/4	120	4 23/32	85	3 11/32	55	2 11/64
MT-TH-5-12	M5-M12	3/16 - 1/2	150	5 29/32	105	4 9/64	75	2 61/64
MT-TH-8-20	M8-M20	5/16 - 3/4	195	7 43/64	132	5 13/64	90	3 35/64

Tapping Head Information



The tapping head has adjustable torque settings to prevent tap breakage. Utilising a large knurled knob to easily adjust the torque.

The round rubber flex collets adjust to the size and locate the tap. Other taps including Imperial can be used if they are within the metric size range, of the tapping head.

The rear square end of the tap is held by a self centring two-jaw clamping plate, which also provides the main drive to the tap when in operation.

